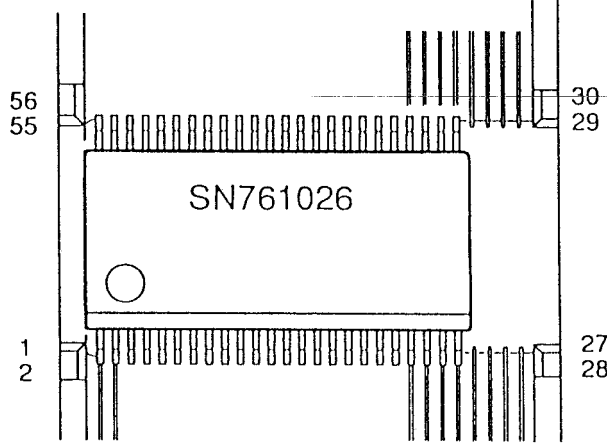




	<p>9V<sub>i</sub> «10Vε SW1=ÄÜ²ζε®          00εμÉäÉεε°1.8Vrms max 4Γ°μÄÑ; 0ñÉäÉë          1.8Vrms max VRinÉäÉë          1×÷ÄÄε. ÄÄ SÉ°0; ä; «+50; æ</p>
--	---

×çÉΓε°Éμ¥0°ÉΓμÄ°²×²â×ú0D56, ö0y%Ä; Éμ±Ää°²×°SN761026É°48, ö0y%Äε°É±É-ÇεÉçΓÄΓ%ÉüÉ%°Ñε÷¼βμÄ μÜ1, ö0y%ÄÄ0×¼²â×úμÄμÜ1, ö0y%Ä; É



### 1.4 ÉäÉë/Éä³0εΓÉ

EVM761026μÄÉäÉë/Éä³0εΓÉçΓÄ±ΓÉüÉ%; É  
 ÉäÉë/Éä³0εΓÉ

ÄÜ³Ä	ÉμÄ±
IN1; «4L-ch	ÉÄΓ°μÄÑ; 0ñÄ÷μÄÄçΓ äÉü0öεμÉäÉëεΓÉÉ°×öÉüμÄÉ®
IN1; «4R-ch	ÉÄΓ°μÄÑ; 0ñÄ÷μÄÄçΓ äÉü0öεμÉäÉëεΓÉÉ°00ÉüμÄÉ®
VRin L-ch	μ±ÉäÉëÑ; 0ñÄ0Ä· É°by-passedÉ°É±0öεμÉäÉëεΓÉÉ°×öÉüμÄÉ®
VRin R-ch	μ±ÉäÉëÑ; 0ñÄ0Ä· É°by-passedÉ°É±0öεμÉäÉëεΓÉÉ°00ÉüμÄÉ®
FRONT OUT L-chÉ-R-ch	0Ä0Üç°É°FRONTÉ°Ñi ÉüÄ÷μÄ0öεμÉäÉëεΓÉÉ°×öÉüμÄÉ-00ÉüμÄÉ®
REAR OUT L-chÉ-R-ch	0Ä0Ü°öÉ°REARÉ°Ñi ÉüÄ÷μÄ0öεμÉäÉëεΓÉÉ°×öÉüμÄÉ-00ÉüμÄÉ®
JR17É°ÉÉÄäÄ÷ÉäÉëÉ°	μ±É°0ÄACÉÉÄäÄ÷É±μç0°εΓÉ
0y%Ä×üÉ°terminal supportÉ°	0Ä0ÜΓ ä²ζΓÉ°μç0°μÄμç0°ÉäÉëεΓÉÉ°μ±°äÄÜÉyεΓÉÉ°Ä±²»0ÄÉ±É°É-0ä0; μ±Ä-¼0μ¼8VΓÉ°μç0°ç00»εΓÉ²»ÄÜ%0μ¼, B0Ü10VμÄ0±Ä÷μç0°ÉΓ
SIOÄ-¼0Ä÷	<p>°®Dz00ÄÉäÉëεΓÉ            Γ°¹yÄ-¼0CTM761024z00εμ¥0°É-0×0Üz00ÄEVM761026            SIOÄ-¼0Ä÷0y%ÄμÄÉμÄ÷É°            1. VTIN 0Ä0Üε0ÄB¼-ÄÄΓβμçÄ¼±ä³ΓμÄÉäÉë            2. NCE°Γ°Ä-¼0É°            3. GNDE°μ0É°            4. DATAÉ°Éy%yÉ°ÉäÉë            5. CLOCKÉ°É±00É°ÉäÉë            6. STROBEÉ°Ñ; Γ°É°ÉäÉë            7. NCE°Γ°Ä-¼0É°            8. 3εΓÉÉ°Ä±ÉäÉëÉ°SW2= "cable" ±»Ñ; É°            9. NCE°Γ°Ä-¼0É°            10. GNDE°μ0É°</p>

## ηβ;ϕ;τ;ε;ι;ε;μ;Α;÷

### 2.1 0Ε0Α²½0ε

° 00iAAβ²½0εE10AEVΜ761026°fCTM761024E°

1. °NEVΜ761026μ¥0°EαEεηE0εAϕi aEυ0 °E°ηa °i4EυμAE°ofEα³oηEE°1; . AE°iαA-½0E»
2. í °1ySIOμϕAAÁ-½0EVM761026μ¥0°ofCTM761024μ¥0°E»
3. Á-½0EVM761026μ¥0°ofμϕ0 °E-μϕ0 °A °x0°°0ÁμAACÉEÁäAE÷»δfá²;τEñ¹μÁ+8V0±Á=μϕ0 °E°½ú “μϕ0 °¿² 1Ø” 0»½ÚE°E»
4. °NCTM761024;00AEμ¥0°0εx°°0Á½»Á=EEÁäAE÷i αA-½0E»
5. °δ;²δÁ°A0 °of1; . ÁμÁμϕ0 °E-0UÉÇEVM761026x½± , °AEÚCTM761024;00AEμ¥0°μÁ;00AE; E

### 2.2 μϕ0 °¿² 1Ø

0Á»S;¿Eδ0f °1ySW1°fSW2μÁ×ε°i °000iÁ3 , 0μϕ0 °0δN; 0ñEVM761022μÁμϕ0 °E°

i °a; °x°°0ÁμÁ½»Á=EEÁäAE÷

i °a; °0UCTM761024;00AEμ¥0°ofSIOμϕAA0NA-½0E±SIOA-½0E=μÁμU8ηE

i °a; °fá²;8V0±Á=τEñ¹μϕ0 °

#### 2.2.1 SW1

0Á»S;¿EÁu0ASW1 °03ηEτEñ¹AE÷»δfá²;8VτEñ¹μϕ0 °0δN; 0ñμϕ0 °; E

#### 2.2.2 SW2

0Á»S;¿EÁu0ASW2 °0½»Á=EEÁäAE÷»δSIOA-½0E÷ñ; 0ñμϕ0 °E° °oU0±Á=9VE°; Eμ±E°10A°CTM761024E±E-¿E °SIO °μϕ; E

	°áU3ηEτEñ¹AE÷		fá²;8V0±Á=τEñ¹AE÷E-½-¹YT1
	Á °x0½»Á=EEÁäAE÷	Á °x0SIOA-½0E÷	
SW1	ÁU²;¿	ÁU²;¿	fá²;¿
SW2	EÉÁäAE÷	μϕAA	²»10δÄ

### 2.3 0δμ÷;¿00AE E°tone cnotrolE°ofíi ηEÉ°loudnessE°

EVM761026¿Eí °1yñ; 0ñ°áAURCí 0AcμA0°½p²TÉyη00oμ÷¿00AE10δ0°fíi ηEÉ10δ0±á³i ; E

#### 2.3.1 0δμ÷;¿00AEμA0°½p²TÉy

0Á0U0δμ÷;¿00AEμA0°½p²TÉyEçíA±íEúE%; E

0°½p°Á	²TÉy	EμÁ÷
C10E-C28	0.018; f	TREBE° , BAEμE° lØ0
C11E-C27	1000pF	
C13E-C35	2.2; f	BassE°μfAEμE°
C14E-C36	0.033; f	lØ0

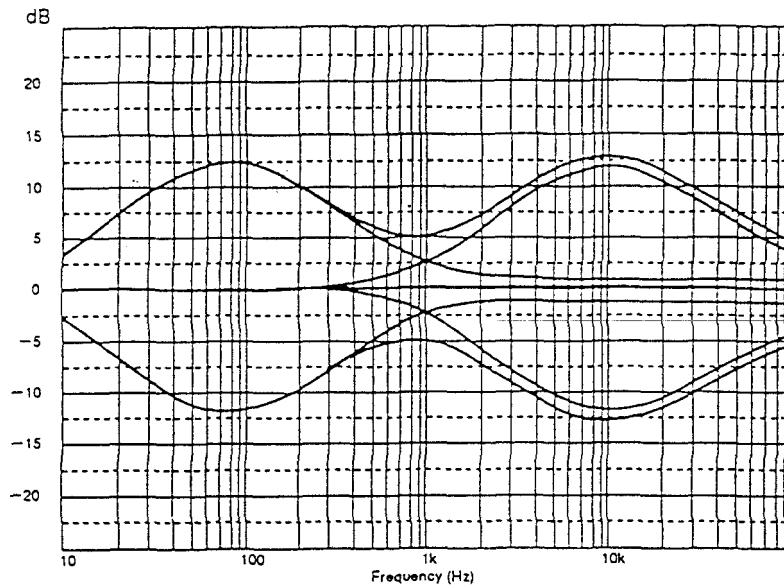
#### 2.3.2 íi ηEμA0°½p²TÉy

0Á0U0íi ηEñ; 0ñμA0°½p²TÉyEçíA±íEúE%; E

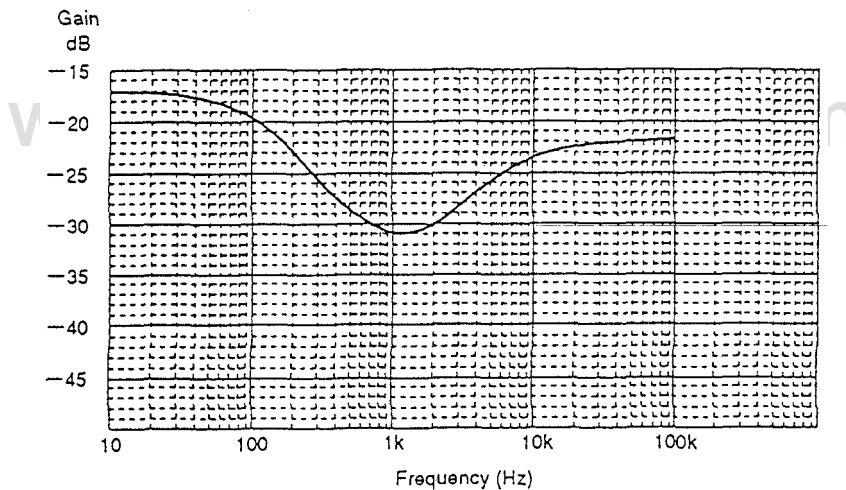
0°½p°Á	²TÉy	EμÁ÷
C6E-C31	8200pF	íi ηEÉ10δ0
R1E-R7	2.7k; ,	
C7E-C32	1; f	
R2E-R8	150; ,	

**2.3.3**  $\hat{\theta} \hat{\delta} \hat{\mu} \hat{\zeta} \hat{\theta} \hat{\theta} \hat{\alpha} \hat{\theta} \hat{e} \hat{i} \hat{i} \hat{\gamma} \hat{E} \hat{\Gamma} \hat{\theta} \hat{\theta} \hat{\theta}$

$\hat{\theta} \hat{\delta} \hat{\mu} \hat{\zeta} \hat{\theta} \hat{\theta} \hat{\alpha} \hat{\theta} \hat{e} \hat{i} \hat{i} \hat{\gamma} \hat{E} \hat{\Gamma} \hat{\theta} \hat{\theta} \hat{\theta} \cdot \hat{\theta} \hat{\pm} \hat{\delta} \hat{E} \hat{\zeta} \hat{\Gamma} \hat{\%} \hat{1} \hat{\circ} \hat{\Gamma} \hat{\%} \hat{2} \hat{E} \hat{u} \hat{E} \hat{\%} \hat{j} \hat{E}$



$\hat{\Gamma} \hat{\%} \hat{1} \hat{\theta} \hat{\delta} \hat{\mu} \hat{\zeta} \hat{\theta} \hat{\theta} \hat{\alpha} \hat{\theta} \hat{E} \hat{\Gamma} \hat{\theta} \hat{\theta} \hat{\theta}$



$\hat{\Gamma} \hat{\%} \hat{2} \hat{\Gamma} \hat{i} \hat{\gamma} \hat{E} \hat{\Gamma} \hat{\theta} \hat{\theta} \hat{\theta}$

**2.4**  $\hat{\Gamma} \hat{\theta} \hat{\Gamma} \hat{B} \hat{A} \hat{E} \hat{\pm} \hat{E} \hat{j} \hat{j} \hat{u} \hat{m} \hat{p} \hat{E} \hat{\circ}$

$EVM761026 \hat{\%} \hat{B} \hat{\theta} \hat{\theta} \hat{\theta} \hat{\alpha} \hat{\%} \hat{p} \hat{2} \hat{\alpha} \hat{\times} \hat{u} \hat{E} \hat{-} \hat{E} \hat{u} \hat{E} \hat{1} \hat{E} \hat{\mu} \hat{\%} \hat{\theta} \hat{A} \hat{U} \cdot \hat{\%} \hat{\pm} \hat{\alpha} \hat{\mu} \hat{\theta} \hat{E} \hat{E} \hat{\theta} \hat{\alpha} \hat{\theta} \hat{U} \hat{,} \hat{\pm} \hat{\theta} \hat{\theta} \hat{\theta} \hat{!} \hat{\alpha} \hat{A} \hat{i} \hat{C} \hat{A} \hat{A} \hat{!} \hat{A} \hat{\circ} \hat{\Gamma} \hat{2} \hat{\alpha} \hat{E} \hat{\theta} \hat{j} \hat{E}$

**2.4.1**  $JPR1 \hat{i} \hat{\ll} 4 \hat{i} \hat{C} JPR9 \hat{i} \hat{\ll} 12$

$\hat{\theta} \hat{U} \hat{E} \hat{\alpha} \hat{E} \hat{E} \hat{\Gamma} \hat{B} \hat{\mu} \hat{A} \hat{\theta} \hat{\theta} \hat{\gamma} \hat{E} \hat{\theta} \hat{e} \hat{\mu} \hat{\theta} \hat{\theta} \hat{\%} \hat{a} \hat{\zeta} \hat{E} \hat{\theta} \hat{\theta} \hat{\times} \hat{\times} \hat{\circ} \hat{600} \hat{j} \hat{\mu} \hat{A} \hat{\mu} \hat{C} \hat{\times} \hat{e} \hat{j} \hat{E}$

$\hat{\Gamma} \hat{\theta} \hat{\Gamma} \hat{B} \hat{A} \hat{E} \hat{-} \hat{A} \hat{u} \hat{3} \hat{A} \hat{E}$	$\hat{E} \hat{\pm} \hat{E} \hat{j} \hat{\times} \hat{\Gamma} \hat{-}$	$\hat{\theta} \hat{\theta} \hat{\gamma} \hat{E}$
JPR1E-2E-3E-4	$\hat{\zeta} \hat{\alpha} \hat{A} \cdot$	$\hat{A} \hat{-} \hat{\%} \hat{\theta} \hat{\mu} \hat{C} \hat{\times} \hat{e}$
JPR9E-10E-11E-12		

**2.4.2 JPR5; 13E-JPJ1; 4E-JPC1; 4E-JPJ2; 5**

$\hat{D} \hat{A} \hat{O} \hat{A} \hat{z} \hat{E} \hat{A} \hat{O} \hat{A} \cdot \hat{E} \hat{\prime} \hat{b} \hat{y} \hat{-} \hat{p} \hat{a} \hat{s} \hat{s} \hat{i} \hat{n} \hat{g} \hat{f} \hat{\otimes} \hat{4} \hat{I} \hat{\prime} \hat{\prime} \hat{\mu} \hat{A} \hat{E} \hat{a} \hat{E} \hat{e} \hat{N} \hat{i} \hat{O} \hat{n} \hat{E} \hat{z} \hat{-} \hat{\prime} \hat{O} \hat{V} \hat{R} \hat{i} \hat{n} \hat{l} \hat{a} \hat{I} \hat{\otimes} \hat{i} \hat{E}$

$\hat{l} \hat{o} \hat{I} \hat{B} \hat{E} \hat{z} \hat{A} \hat{u} \hat{\%} \hat{E}$	$\hat{E} \hat{I} \hat{O} \hat{A} \hat{E} \hat{a} \hat{E} \hat{e} \hat{N} \hat{i} \hat{O} \hat{n}$	$\hat{E} \hat{I} \hat{O} \hat{A} \hat{V} \hat{R} \hat{i} \hat{n} \hat{E} \hat{a} \hat{E} \hat{e}$
JPR5; 13	$\hat{\eta} \hat{l} \hat{A} \cdot$	$\hat{z} \hat{a} \hat{A} \cdot$
JPJ1; 4	$\hat{z} \hat{a} \hat{A} \cdot$	$\hat{\eta} \hat{l} \hat{A} \cdot$
JPC1; 4	$\hat{z} \hat{a} \hat{A} \cdot$	$\hat{z} \hat{a} \hat{A} \cdot$
JPJ2; 5	$\hat{z} \hat{a} \hat{A} \cdot$	$\hat{z} \hat{E} \hat{A} \hat{-} \hat{\%} \hat{O} \hat{O} \hat{O} \hat{\eta} \hat{E} \hat{\mu} \hat{c} \hat{x} \hat{e}$

**2.4.3 JPR7; 8E-JPR15; 16**

$\hat{\%} \hat{O} \hat{O} \hat{\mu} \hat{c} \hat{x} \hat{e} \hat{z} \hat{E} \hat{A} \hat{-} \hat{\%} \hat{O} \hat{\mu} \hat{\%} \hat{G} \hat{N} \hat{D} \hat{E} \hat{\prime} \hat{\prime} \hat{O} \hat{U} \hat{z} \hat{a} \hat{E} \hat{O} \hat{C} \hat{e} \hat{z} \hat{o} \hat{I} \hat{A} \hat{E} \hat{\otimes} \hat{i} \hat{E}$

$\hat{l} \hat{o} \hat{I} \hat{B} \hat{E} \hat{z} \hat{A} \hat{u} \hat{\%} \hat{E}$	$\hat{E} \hat{\pm} \hat{E} \hat{i} \hat{x} \hat{\prime} \hat{l} \hat{-}$	$\hat{O} \hat{U} \hat{z} \hat{a} \hat{E} \hat{O} \hat{C} \hat{e} \hat{z} \hat{o} \hat{I} \hat{A}$
JPR7E-9	$\hat{z} \hat{a} \hat{A} \cdot$	$\hat{A} \hat{-} \hat{\%} \hat{O} \hat{\mu} \hat{c} \hat{x} \hat{e}$
JPR15E-16		

**2.4.4 JPJ3**

$\hat{J} \hat{P} \hat{J} \hat{3} \hat{\pm} \hat{E} \hat{\%} \hat{O} \hat{z} \hat{a} \hat{A} \cdot \hat{i} \hat{E}$

**2.4.5 JPR6; JPC2; JPR14; JPC3**

$\hat{O} \hat{U} \hat{l} \hat{o} \hat{I} \hat{B} \hat{E} \hat{z} \hat{\prime} \hat{z} \hat{E} \hat{O} \hat{O} \hat{\%} \hat{x} \hat{\%} \hat{B} \hat{\eta} \hat{E} \hat{\%} \hat{O} \hat{O} \hat{I} \hat{A} \hat{E} \hat{z} \hat{\prime} \hat{E} \hat{z} \hat{i} \hat{E}$

$\hat{l} \hat{o} \hat{I} \hat{B} \hat{E} \hat{z} \hat{A} \hat{u} \hat{\%} \hat{E}$	$\hat{E} \hat{\pm} \hat{E} \hat{i} \hat{x} \hat{\prime} \hat{l} \hat{-}$	$\hat{\%} \hat{z} \hat{x} \hat{\%} \hat{A} \hat{E} \hat{z} \hat{\prime} \hat{E} \hat{z}$
JPR6E-14	$\hat{\eta} \hat{l} \hat{A} \cdot$	$\hat{E} \hat{\prime} \hat{A} \hat{y} \hat{E} \hat{\otimes} 100 \hat{i} \hat{\%}$
JPC2E-3	$\hat{z} \hat{a} \hat{A} \cdot$	$\hat{E} \hat{\prime} \hat{A} \hat{y} \hat{E} \hat{\otimes} 1500 \hat{p} \hat{F}$

$\hat{V} \hat{R} \hat{i} \hat{n} \hat{i} \hat{C} \hat{Z} \hat{C} \hat{i} \hat{n} \hat{\prime} \hat{I} \hat{S} \hat{w} \hat{o} \hat{u} \hat{t} \hat{\otimes} \hat{\%} \hat{a} \hat{\mu} \hat{A} \hat{n} \hat{i} \hat{\prime} \hat{O} \hat{I} \hat{\mu} \hat{c} \hat{E} \hat{Y} \hat{z} \hat{E} \hat{O} \hat{O} \hat{E} \hat{C} \hat{I} \hat{\ll} \hat{I} \hat{z} \hat{\mu} \hat{A} \hat{i} \hat{E}$

$\hat{l} \hat{o} \hat{I} \hat{B} \hat{E} \hat{z} \hat{A} \hat{u} \hat{\%} \hat{E}$	$\hat{E} \hat{\pm} \hat{E} \hat{i} \hat{x} \hat{\prime} \hat{l} \hat{-}$	$\hat{\%} \hat{z} \hat{x} \hat{\%} \hat{A} \hat{E} \hat{z} \hat{\prime} \hat{E} \hat{z}$
JPR5E-13	$\hat{\eta} \hat{l} \hat{A} \cdot$	$10 \hat{i} \hat{l} \hat{F} \hat{E} \hat{\ll} \hat{\%} \hat{\ll} \hat{D} \hat{O}$
C5E-33	$10 \hat{i} \hat{l} \hat{F} \hat{E} \hat{\ll} \hat{\%} \hat{\ll} \hat{D} \hat{O}$	$\hat{\eta} \hat{l} \hat{A} \cdot$
JPR6E-14	$10 \hat{i} \hat{l} \hat{F} \hat{E} \hat{\ll} \hat{\%} \hat{\ll} \hat{D} \hat{O}$	$\hat{\eta} \hat{l} \hat{A} \cdot$

$\hat{T} \hat{O} \hat{N} \hat{E} \hat{o} \hat{u} \hat{t} \hat{\prime} \hat{F} \hat{A} \hat{D} \hat{E} \hat{R} \hat{i} \hat{n} \hat{O} \hat{\otimes} \hat{\%} \hat{a} \hat{\mu} \hat{A} \hat{n} \hat{i} \hat{\prime} \hat{O} \hat{I} \hat{\mu} \hat{c} \hat{E} \hat{Y} \hat{z} \hat{E} \hat{O} \hat{O} \hat{E} \hat{C} \hat{I} \hat{\ll} \hat{I} \hat{z} \hat{\mu} \hat{A} \hat{i} \hat{E}$

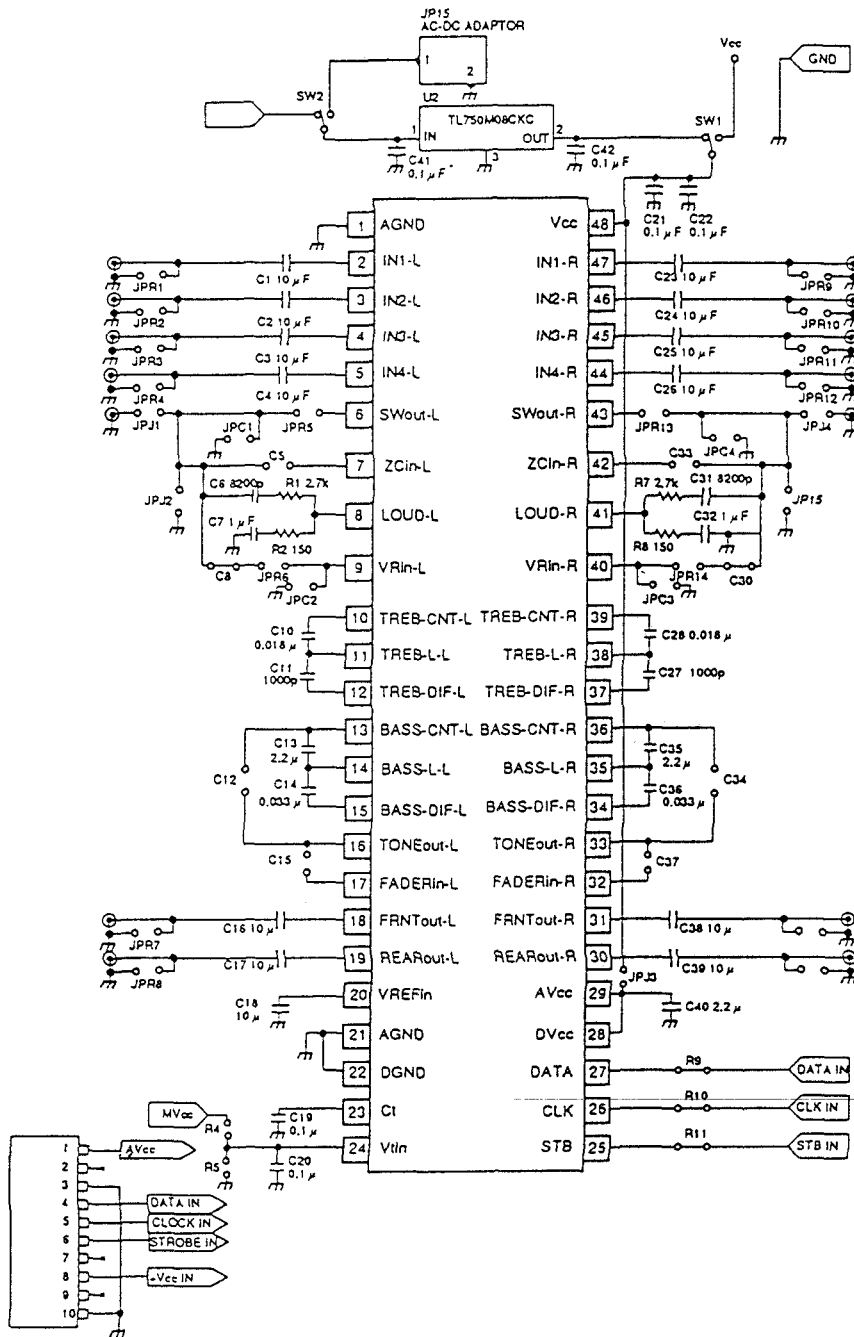
$\hat{l} \hat{o} \hat{I} \hat{B} \hat{E} \hat{z} \hat{A} \hat{u} \hat{\%} \hat{E}$	$\hat{E} \hat{\pm} \hat{E} \hat{i} \hat{x} \hat{\prime} \hat{l} \hat{-}$	$\hat{\%} \hat{z} \hat{x} \hat{\%} \hat{A} \hat{E} \hat{z} \hat{\prime} \hat{E} \hat{z}$
C15E-37	$10 \hat{i} \hat{l} \hat{F} \hat{E} \hat{\ll} \hat{\%} \hat{\ll} \hat{D} \hat{O}$	$\hat{\eta} \hat{l} \hat{A} \cdot$

$\hat{A} \hat{e} \hat{E} \hat{u} \hat{O} \hat{\%} \hat{p} \hat{E} \hat{C} \hat{I} \hat{A} \hat{\pm} \hat{i} \hat{E} \hat{u} \hat{E} \hat{\%} \hat{i} \hat{E}$

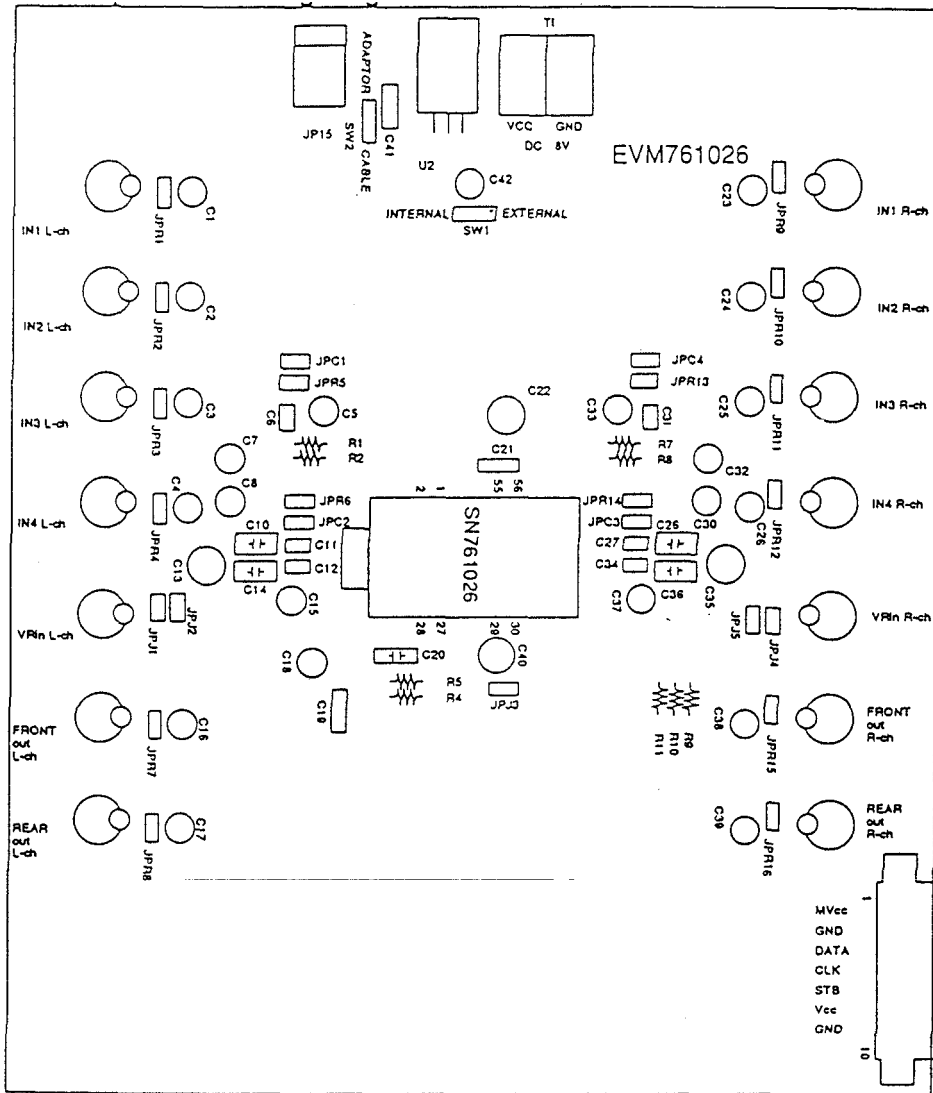
$\hat{O} \hat{a} \hat{\%} \hat{p} \hat{O} \hat{A}$	$\hat{A} \hat{a} \hat{O} \hat{A}$
C12E-34	$\hat{z} \hat{a} \hat{A} \cdot$
R4; 5	$\hat{z} \hat{a} \hat{A} \cdot$
C20	$\hat{z} \hat{a} \hat{A} \cdot$
R9; 10; 11	$\hat{\eta} \hat{l} \hat{A} \cdot$

## Εγχειρίδιο - Γραμμάτιο 2x0 Γραμμάτιο

EVM761026μΑμΑ - Γραμμάτιο 2x0 Γραμμάτιο - 0-08ΕΓ3; C4°Γ±1ΕύΕ%j Ε



Γραμμάτιο EVM761026μΑμΑ - Γραμμάτιο



1/4 EVM761026 2x1/4

±í1 0°¼p±í

Đò°Å	ÊýÁ¿	0°¼p°Å	ËµÃ÷
1	20	C1,C2,C3,C4,C5,C8,C15,C16,C17,C18,C23,C24,C25 ,C26,C30,C33,C37,C38,C39,V42	10µF
2	2	C6,C31	S200pF
3	2	C7,C32	1µF
4	2	C10,C28	0.018µF
5	2	C11,C27	1000pF
7	3	C13,C35,C40	2.2µF
8	2	C14,C36	0.033µF
9	3	C19,C21,C41	0.1µF
11	1	C22	47µF
12	4	JPC1,JPC2,JPC3,JPC4	JUMPER-C
13	5	JPJ1,JPJ2,JPJ3,JPJ4,JPJ5	JUMPER-J
14	16	JPR1,JPR2,JPR3,JPR4,JPR5,JPR6,JPR7,JPR8,JPR9, JPR10,JPR11,JPR12,JPR13,JPR14,JPR15,JPR16	JUMPER-R
15	1	JP1	SIO
16	1	JP15	AC-DC ADAPTER
17	1	J1	IN1 L-ch
18	1	J2	IN2 L-ch
19	1	J3	IN3 L-ch
20	1	J4	IN4 L-ch
21	1	J5	FRONTOUT L-ch
22	1	J6	REAROUT L-ch
23	1	J7	IN1 R-ch
24	1	J8	IN2 R-ch
25	1	J9	IN3 R-ch
26	1	J10	IN4 R-ch
27	1	J11	FRONTOUT R-ch
28	1	J12	REAROUT R-ch
29	1	J13	VRin L-ch
30	1	J14	VRin R-ch
31	2	R1,R7	2.7kΩ
32	2	R2,R8	150Ω
35	1	SW1	REG Vcc 8V
36	1	SW2	UNREG Vcc
37	1	U1	SN761026
38	1	U2	TL750M08CKC